

6

5

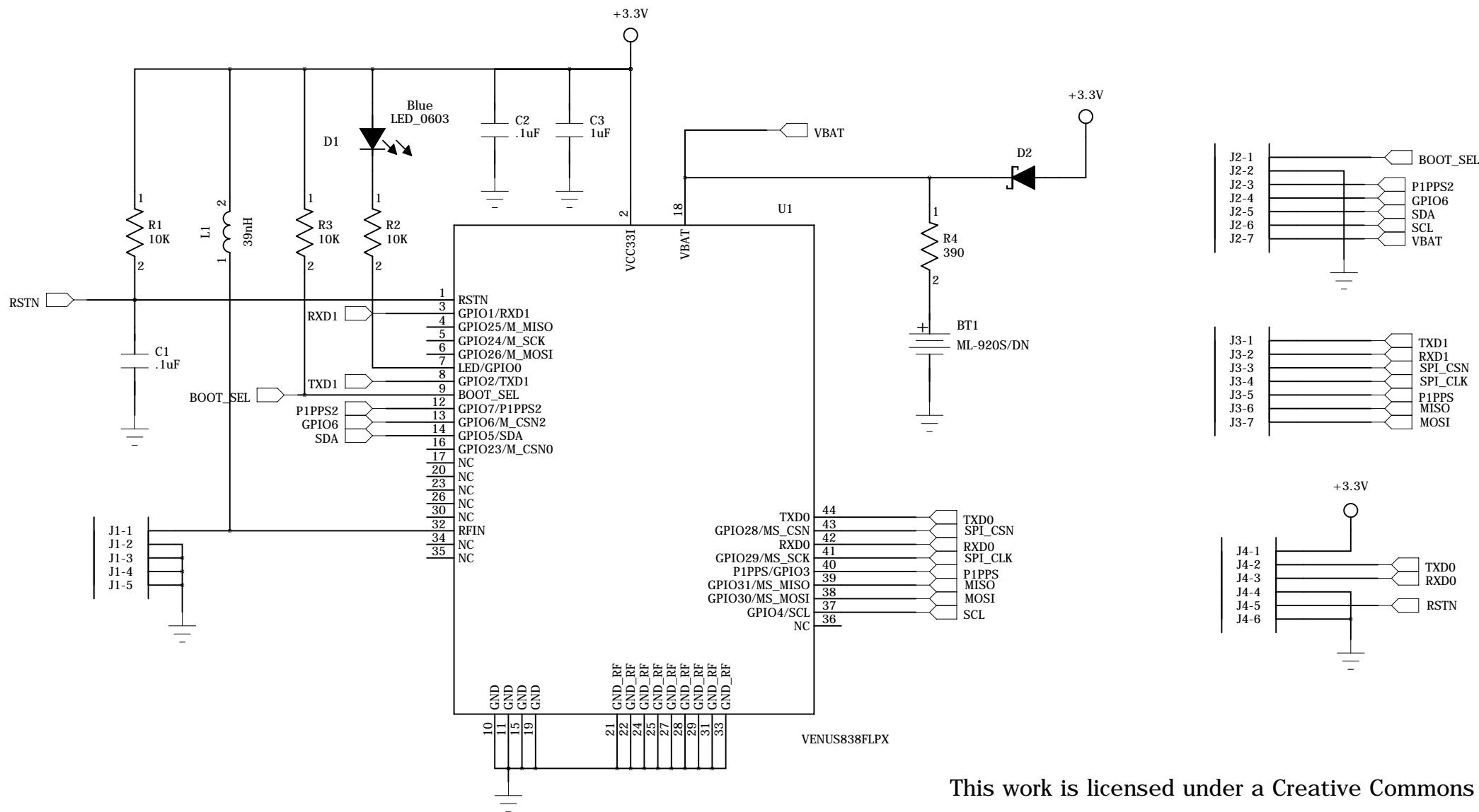
4

3

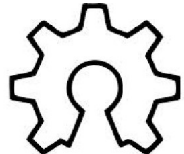
2

1

REVISION RECORD			
LTR	ECO NO:	APPROVED:	DATE:



This work is licensed under a Creative Commons Attribution-ShareAlike 3.0 Unported License. <http://www.creativecommons.org/licenses/by-sa/3.0/>



open hardware

COMPANY:				Smoking Resistor			
TITLE:							
SkyTraq Venus838FLPx Breakout Board							
CODE:		SIZE:		DRAWING NO:		REV:	
		B		Venus838BR		1.1	
SCALE: <Scale>						SHEET: 1 of 1	

DRAWN:	Kelly	DATED:	04/13/2014
CHECKED:	KC	DATED:	04/13/2014
QUALITY CONTROL:	QC	DATED:	04/13/2014
RELEASED:	SmokingResistor	DATED:	04/13/2014

D

D

C

C

B

B

A

A